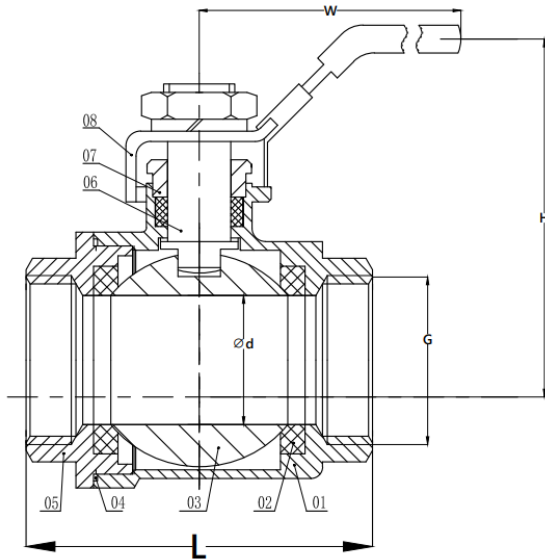


GATE VALVE



316 STAINLESS 200PSI



No#	PART NAME	MATERIAL
1	Body	304/316
2		PTFE
3		304/316
4		PTFE
5		304/316
6		304/316
7		PTFE
8	Handle	SS+PVC

SIZE	PRODUCT CODE	DIMENSIONS				KG EACH
		L	d	H	W	
1/4"	6GV1/2A	52	12	52	100	
3/8"	6GV3/4A	52	12	48	102	
1/2"	6GV1/2A	54.5	15	54	102	
3/4"	6GV3/4A	60	20	57	107	
1"	6GV1A	73.5	25	72	125	
1 1/4"	6GV11/4A	83.5	32	75	125	
1 1/2"	6GV11/2A	93	38	92	165	
2"	6GV2A	107	49	94	170	
2 1/2"	6GV21/2A	140	64	124	235	
3"	6GV3A	165	78	134	235	
4"	6GV4A	203	98	165	300	

Our range of 200lb fittings are available as threaded BSP with socket weld end connections. They are made from high quality investment castings to ISO4144 or above. BSP threads are to ISO228-1 and 7-1. Made from 316 (CF8M) stainless steel. Port Type is Reduced Port.

Sourced Components Ltd, Unit 33, Daish Way, Dodnor Industrial Estate,
Newport, Isle of Wight, PO30 5XJ
tel. 01983 559100 - sales@sourcedcomponents.co.uk



www.sourcedcomponents.co.uk