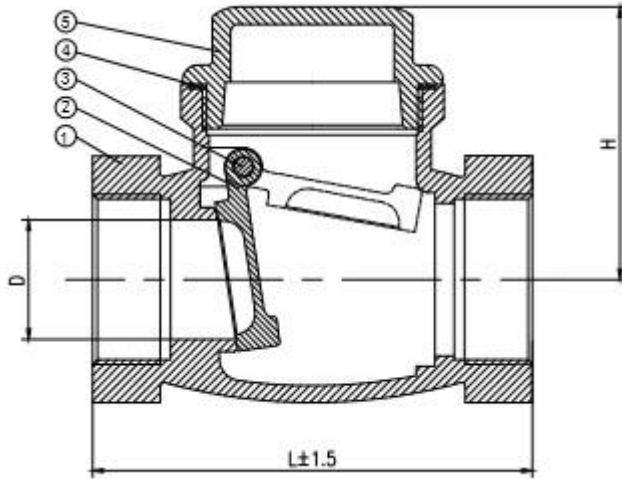


SWING CHECK VALVE

316 STAINLESS 200LB



No#	PART NAME	MATERIAL	QTY
1	BODY	CF8/CF8M	1
2	DISC	CF8/CF8M	1
3	HANGER PIN	SS304/SS316	1
4	JOINT GASKET	PTFE/RPTFE	1
5	CAP	CF8/CF8M	1

SIZE	PRODUCT CODE	DIMENSIONS				KG EACH
		DN	D	L	H	
1/2"	6WN1/2A	12	15.5	62	43	0.235
3/4"	6WN3/4A	20	20	75	45	0.34
1"	6WN1A	25	23.5	84	49	0.47
1 1/4"	6WN11/4A	32	30	100	56	0.695
1 1/2"	6WN11/2A	40	37	115	64	0.975
2"	6WN2A	50	46	134	71	1.31
2 1/2"	6WN21/2A	65	64	164	91	2.73
3"	6WN3A	80	74.5	190	103	4.20
4"	6WN4A	100	96	237	138	8.12

Our range of 200lb fittings are available as threaded BSP with socket weld end connections.

They are made from high quality investment castings to ISO4144 or above.

BSP threads are to ISO228-1 and 7-1

Made from 316 (CF8M) stainless steel

Sourced Components Ltd, Unit 33, Daish Way, Dodnor Industrial Estate,
Newport, Isle of Wight, PO30 5XJ
tel. 01983 559100 - sales@sourcedcomponents.co.uk



www.sourcedcomponents.co.uk